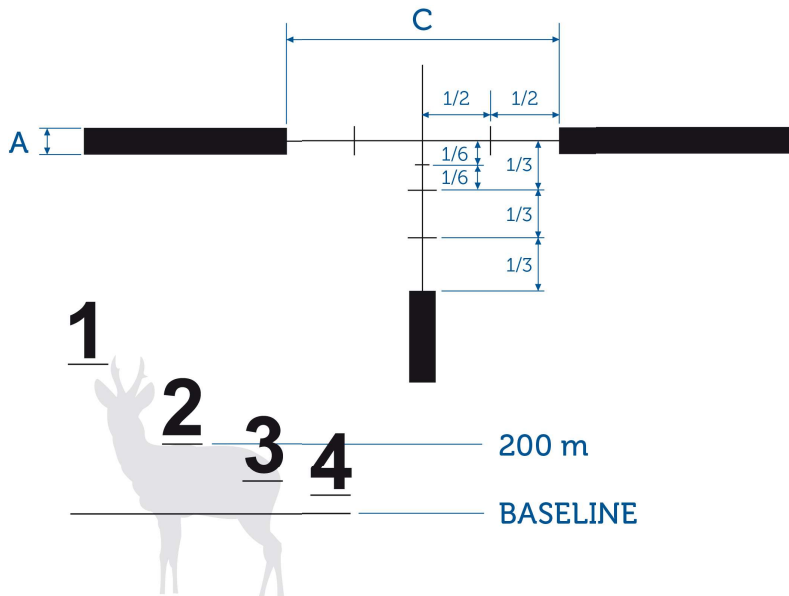


#### 4A

Meopta proprietary ranging and ballistic compensation reticle. Place the baseline marker bar parallel to the animal's belly as shown in the reticle above. The numbered distance bar that falls closest to the top of the animal's back indicates the approximate distance in hundreds of yards. Animal shown is approximately 200 meters out. Marker bars on the lower vertical post as holdovers for extended distances.



Artemis 2000 1,5-6x42

	Dimensions				
	cm/100m	in/100yd	MOA	mRad	Power
A	20,0	7,20	6,88	2,00	
C	140,0	50,40	48,13	14,00	
E	2,5	0,90	0,86	0,25	

Artemis 2000 4x32

	Dimensions				
	cm/100m	in/100yd	MOA	mRad	Power
A	20,0	7,20	6,88	2,00	
C	140,0	50,40	48,13	14,00	
E	1,2	0,43	0,41	0,12	

E = thickness of the thin bars

